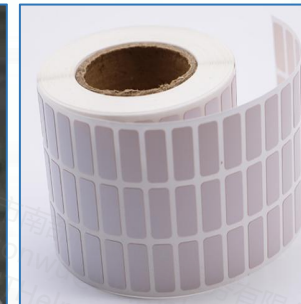
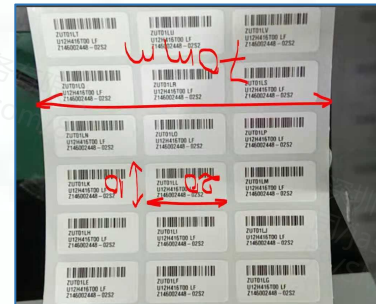
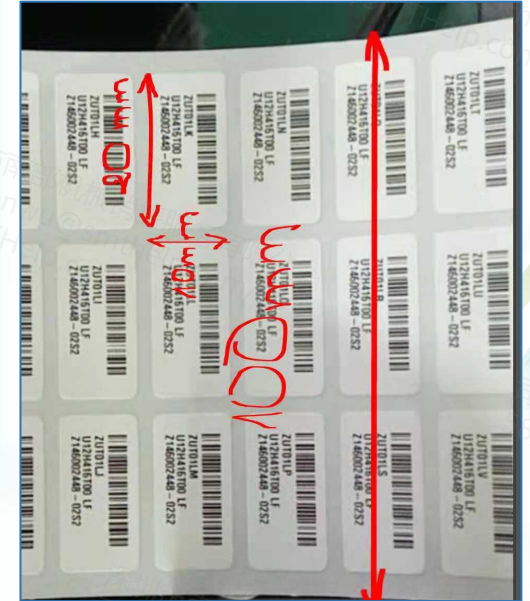


Label Feeder-SLF100X

A label feeder is used to transport labels to the SMT machine, with which a label is stuck on the PCB.

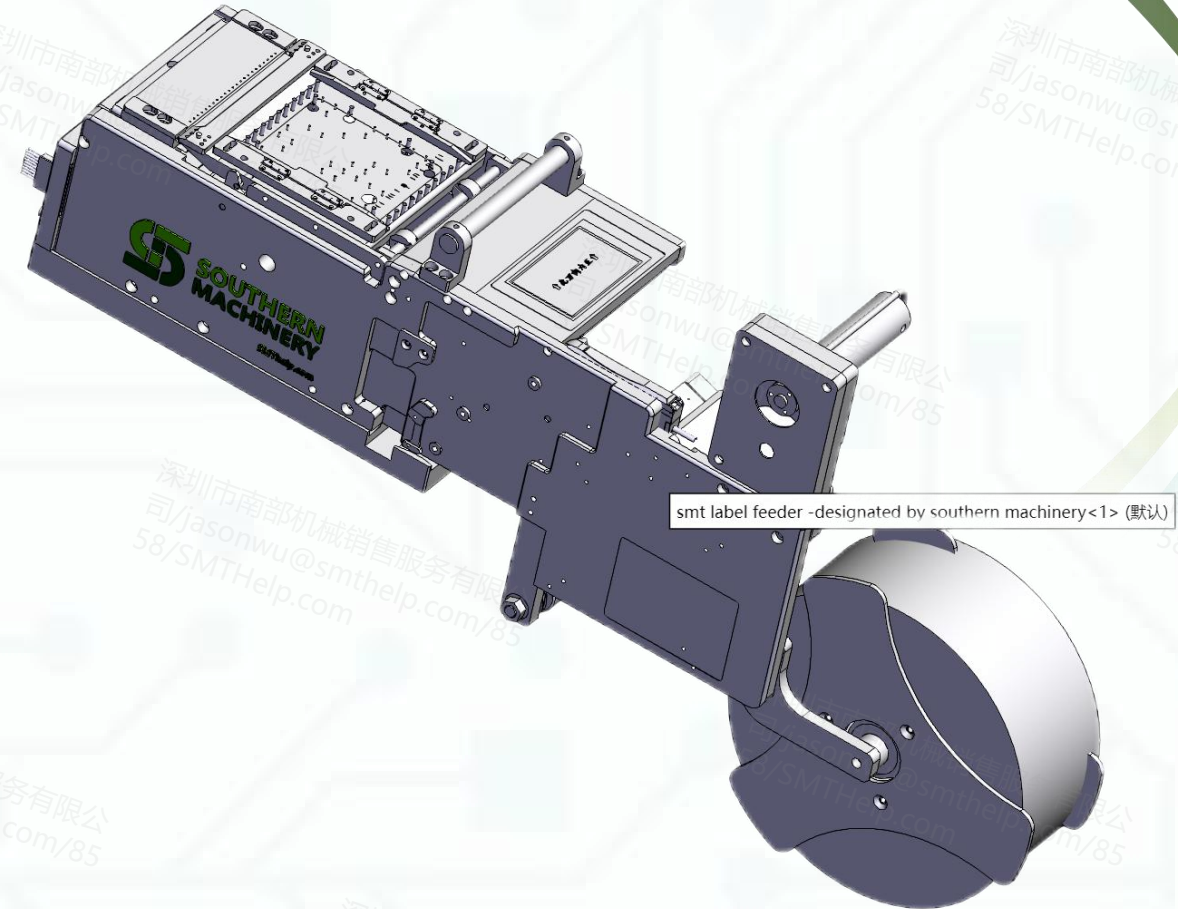
1. Applicable to roll-type auxiliary materials of 3C products, such as foam, double-sided tape, protective film, conductive adhesive etc. Automated production line with high-speed and high-precision!
2. Supply coil-type reinforcing steel sheets to the reinforcing machine (or a SMT machine) to ensure a reinforcing process of the FPC flexible circuit board.
3. To replace the labor with a robotic arm.

Model	SLF100X	
Feeder Size	L*W*H	650x165x320mm
	Weight	7.5Kg
Material	Bottom paper width	<60mm; <80mm; <100mm
	Bottom paper thickness	0.05mm-0.08mm
	Bottom paper makings	PET plastic film or paper tape
	Material type	Paper label, protective film, foam, double-sided tape, conductive adhesive or copper foil and steel sheet etc.
	Material size	min>3mm、MAX<Bottom paper width
	Inner diameter of tray	3-inch roll core(Standard) (customizable)
	Material thickness	Customized
Feeding part	Maximum load of tray	3Kg
	Quantity	Single row and multiple columns, or multi-column expansion
	Speed gear	Four(adjustable)
	Position adjustment	X axis limit adjustment + Y axis software adjustment + Z axis mechanical adjustment
	Feeding accuracy	X±0.2mm, Y±0.2mm



Features and Advantages

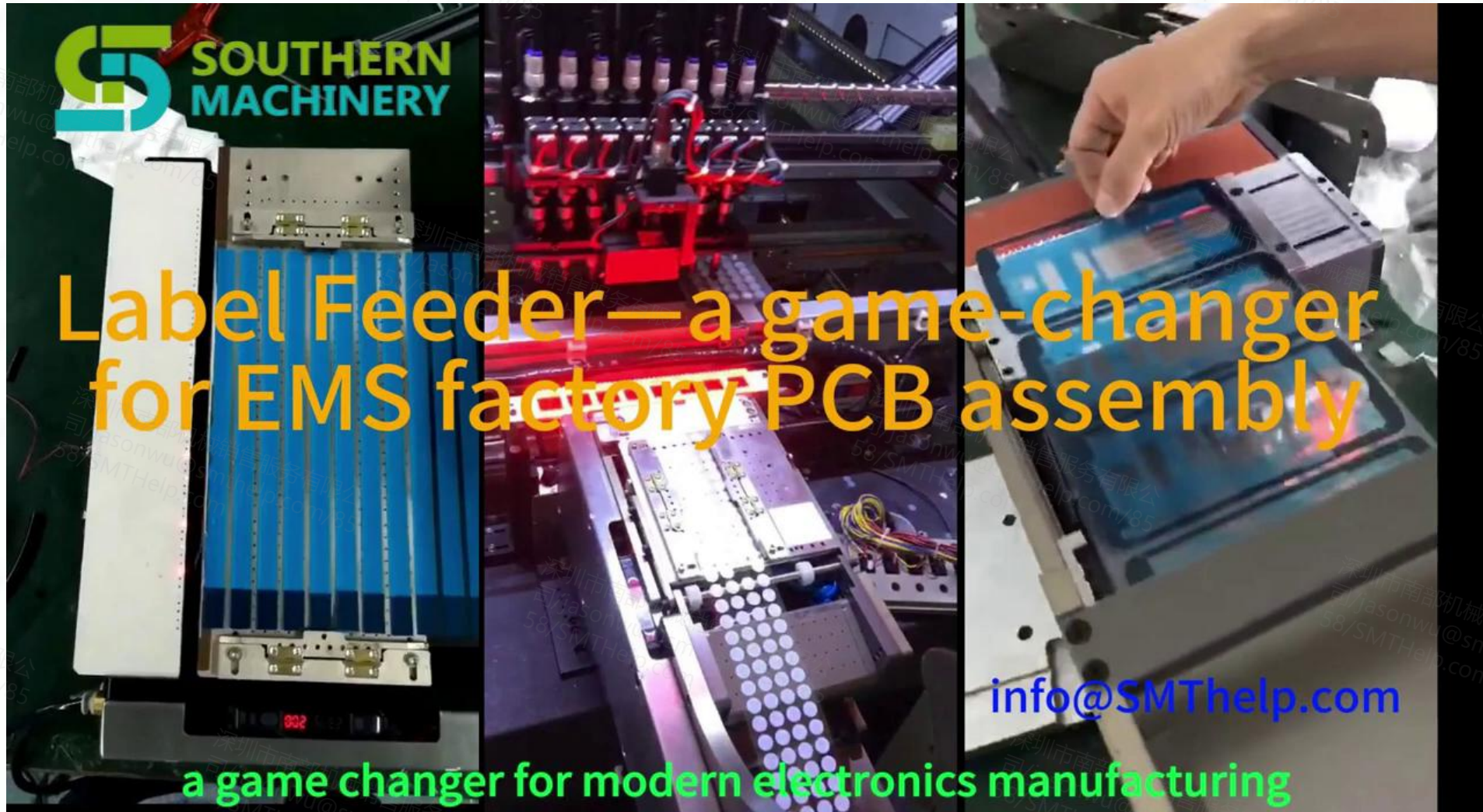
- Automated label feeding system for SMT machines.
- Replaces manual labor with a robotic arm, ensuring high-speed and high-precision label placement.
- Compatible with a variety of label materials, including paper, protective film, foam, double-sided tape, and conductive adhesive.
- Versatile solution for various electronics manufacturing applications.



Key Benefits:**

- * **Automated label application** for increased throughput and reduced labor.
- * **High-precision placement** ensures consistent label positioning.
- * **Compatibility with various label materials** for versatile application.





Best After-sales service

- **7x24 Worldwide Support**
- **Free Installation/ Training**
- **1 day lead-time (spare parts)**
- **1 Month customize solution**



WELCOME INQUIRY

Please visit

www.smthelp.com

Find us more

<https://www.facebook.com/autoinsertion>

Know more about our team

<https://cn.linkedin.com/in/smtsupplier>

Welcome to our factory in Shenzhen China

See more machine working video, please Youtube **Auto Insertion**

Google

Auto+insertion, to get more information

Looking forward to your email

info@smthelp.com